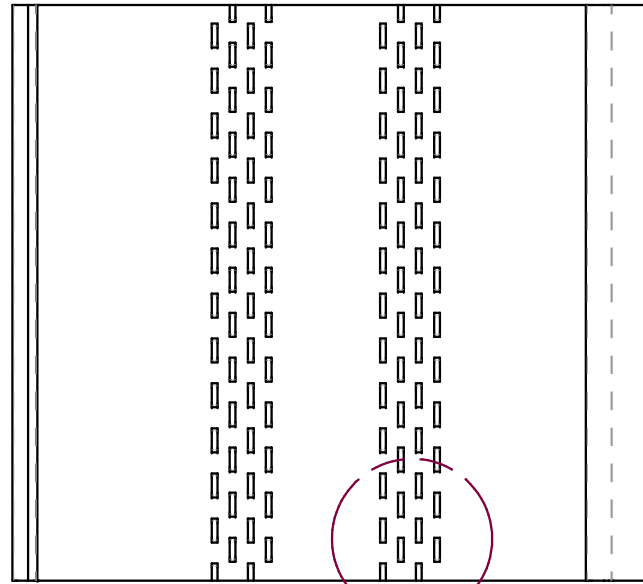
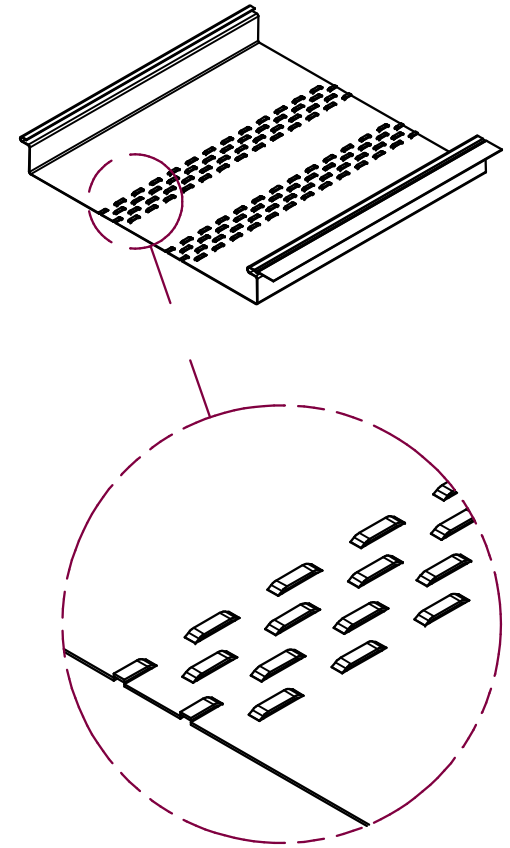


DETAIL A



LEFT AS VIEWED FROM ENTRY SIDE RIGHT



OPENING SIZE .50 [12.7] X .12 [3.0] = .06 SQ. IN. [38.7 sq. mm]
 OPENINGS PER 12 INCH LENGTH [304.8 mm] = 51.25
 NET FREE AREA / 12 INCH = .06 SQ IN X 51.25 = 3.08 SQ IN.
 [net free area / 304.8 mm = 38.7 sq. mm X 51.25 = 1983 sq. mm]

NOTES:

1. MATERIAL USAGE: 5" [127 mm]
2. WHEN USING PERFORATOR:
 MAXIMUM NET FREE AREA = 3.08
 SQUARE INCHES PER 12 INCHES
 OF PERFORATION
 [1987 sq. mm / 304.8 mm]
3. MAXIMUM OF TWO PERFORATIONS
 PER PANEL.
4. DUAL DIMENSIONS: Inch [mm]

MATERIAL		WEIGHT		FINISH	
				NONE	
REVISION HISTORY	REV	ECR NO.	DATE	RELEASED BY	TOLERANCES
	0	N/A	01/07/2013	JD	.XX = ± .01 .XXX = ± .005
					FRACTION = ± 1/32"
					ANGLE = ± 1/2'

		NEW TECH MACHINERY CORP.		
		DRAWN BY BT DATE 01/07/2013 CHECK BY JD DATE 01/07/2013		
		PART NUMBER FWQ-150P	SHEET 1 OF 1	REVISION 0